



PRODIM

PROLINER TRACKER 8IS

The perfect solution for the industry

This portable, digital measuring unit is perfect for all measurements in the industry field, like glass, metal, canvas & textile and yachtbuilding. This model is unique in both functionality and appearance and it completes all your measurements on location without any problem. The integrated CAD software and the large 10" wide screen allow users to check dimensions and edit drawings directly on the Proliner on site. The Proliner 8IS supports both 2D and 3D versions. To benefit from optimal power flexibility, the Proliner 8IS comes with rechargeable batteries and a socket adaptor.



PROLINER *Tracker8is*

**Professional Dimensioning
for Production Improvement**

PROLINER TRACKER 8IS

Accurate, Simple, Portable



Proliner Tracker 8IS - Technical specs*

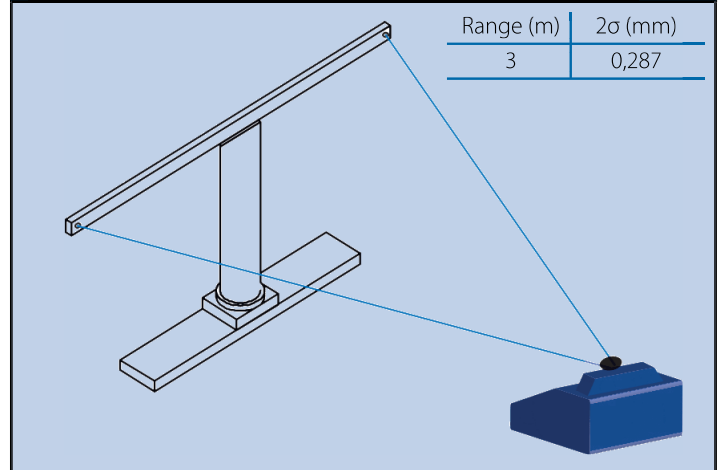
HARDWARE	
Dimensions machine (cm)	38 x 32 x 18
Dimensions touch screen	10" wide
Tripod fitting hole	double
Internal storage for acc.	double
Water-level sensors	✓
Data storage capacity	ca 20.000 dxf
RANGE	
Horizontal envelope	360°
Vertical envelope	+ 65 to - 35
Minimum working range	0 m
Maximum working range**	15 m diameter
ENVIRONMENTAL	
Altitude	-700 to 3000 meters
Humidity	0 to 98% (non-condensing)
Operating temperature	- 10 °C to 50 °C
DATA PORTS	
USB	✓
UTP Network socket	✓
SOFTWARE	
Measuring 2D	✓
Measuring 3D	✓
Leapfrog	✓
Check dimensions	✓
Modify drawing	✓
Generate CAD file (DXF)	✓
POWER SUPPLY	
Cable	✓
Battery	✓

* Specifications, descriptions and technical data may be subject to change.

** Without relocating the machine with the onboard leap function.

Prodims test protocols are based on ASME B89.4.19-2006.

Typical Horizontal Scale Bar Measurement*



Single point repeatability (2 mtrs)*	0,088 mm
SE (3 mtrs)*	0,144 mm

Prodim Calibers
are certified by
VSL, ISO 17025*



For more information and
demo movies, visit our website:
www.prodim-systems.com

PROLINER[®]
Measurement made portable



Prodim International BV Phone: +31 492 579050
Lagedijk 26, 5705 BZ Helmond, The Netherlands
Prodim USA Phone: 888-229-3328
7454 Commercial Cir. Fort Pierce, FL 34951, USA
info@prodim-systems.com

a product of
PRODIM