



PRODIM

PROLINER TRACKER 10IS

World's Most Flexible & Efficient 3D Tracker & Scanner

The Proliner Tracker 10IS is the world's one and only non-laser based tracker, combining advanced functionality with rugged reliability. This portable self-contained measuring device can handle any measuring project or location without suffering from environmental influences, such as reflections, fog and dust. The comprehensive integrated CAD software along with the large 10" touch screen display, makes it possible to check, edit and complete measurements on the job site. The Proliner Tracker 10IS is capable of measuring points and contours with high accuracy. With the Integrated Proliner Leapfrog Software, measurements larger than 20 meters can be done very efficiently and accurately.



PROLINER
Tracker 10is

Professional Dimensioning
for Production Improvement

PROLINER TRACKER 10IS *Accurate, Simple, Portable*



Proliner Tracker 10IS - Technical specs*

HARDWARE	
Dimensions machine (cm)	38 x 32 x 20
Dimensions touch screen	10"
Tripod fitting hole	double
Internal storage for acc.	double
Water-level sensors	✓
Data storage capacity	ca 20.000 dxf
RANGE	
Horizontal envelope	360°
Vertical envelope	+ 65 to - 35
Minimum working range	0 m
Maximum working range**	20 m diameter
ENVIRONMENTAL	
Altitude	-700 to 3000 meters
Humidity	0 to 98% (non-condensing)
Operating temperature	- 10 °C to 50 °C
DATA PORTS	
USB	✓
UTP Network socket	✓
SOFTWARE	
Measuring 2D	✓
Measuring 3D	✓
Leapfrog	✓
Check dimensions	✓
Modify drawing	✓
Generate CAD file (DXF)	✓
POWER SUPPLY	
Cable	✓
Battery	✓

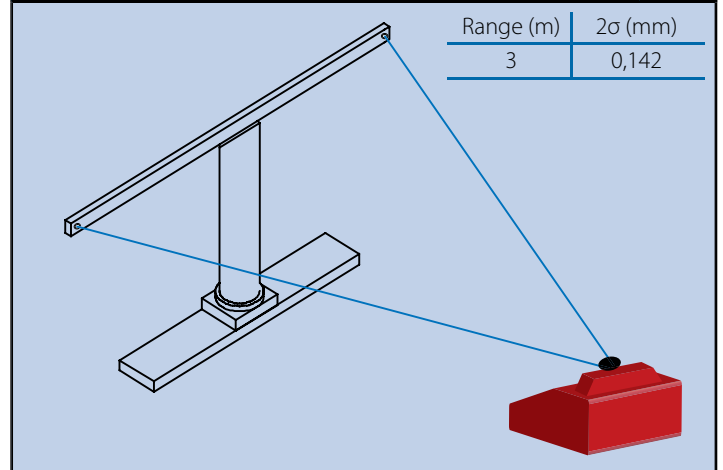
* Specifications, descriptions and technical data may be subject to change.

** Without relocating the machine with the onboard leap function.

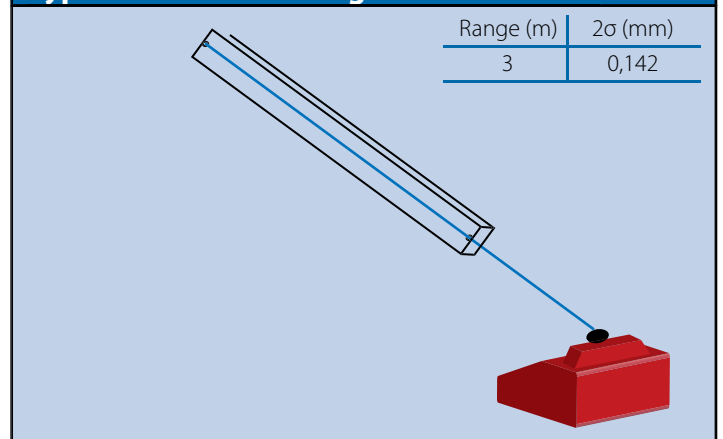
Prodim's test protocols are based on ASME B89.4.19-2006.

For more information and demo movies, visit our website:
www.prodim-systems.com

Typical Horizontal Scale Bar Measurement*



Typical Horizontal Range Measurement*



Single point repeatability (2 mtrs)*	0,040 mm
SE (3 mtrs)*	0,071 mm

Prodim Calibers
are certified by
VSL, ISO 17025*



PROLINER[®]
Measurement made portable



Prodim International BV Phone: +31 492 579050
 Lagedijk 26, 5705 BZ Helmond, The Netherlands
 Prodim USA Phone: 888-229-3328
 7454 Commercial Cir. Fort Pierce, FL 34951, USA
info@prodim-systems.com

a product of
PRODIM